

Freestanding STOVE VEGA Ø 150

KOZA/VEGA/150

Price:

€580.00

EAN:

5901350018224

Stove VEGA is a tradition in the new version. Despite its small size, it has excellent thermal parameters.

Shipping on pallet

transfer - zł106.00

COD - zł111.00

Implementation within

14 days



Technical Specifications

| | |
|--|---|
| Rated output (kW) | 6,0 |
| Range of heating power (kW) | 3.5 - 8.0 |
| Efficiency (%) | 78,0 |
| Exhaust outlet diameter (mm) | 150 |
| Complies with Ecodesign criteria | Yes |
| Designed for heat recovery unit | No |
| Fuel type | recommended seasoned hardwood with moisture $\leq 20\%$ |
| CO emission (at 13% O ₂) \leq given in % | 0,10 |
| Flue gas temperature (°C) | 280,0 |
| Max log length (cm) | 25 |
| Emission of dust (mg/Nm ³) | 21,0 |
| Compliance with BlmSchV 2 standard | Yes |
| The energy efficiency index EEI | 102,79 |
| Glazing type | straight |
| Opening of the doors | to the left |
| Material | steel, cast iron |

| | |
|--|-------|
| Width (cm) | 51,00 |
| Height (cm) | 64,90 |
| Depth (cm) | 31,50 |
| External air inlet | No |
| The liner of the combustion chamber | Yes |
| Ashpan | Yes |
| Decorative printed glass | Yes |
| ASDP - automatic control of the air supply | No |
| Turbine TURBOFAN | No |
| Water panel | No |

Features

MAXIMUM USE OF ENERGY

The body and the front of the insert are resistant to high temperatures thanks to the high quality steel used in production.

Combustion of fuel thanks to the deflector.

Triple system of combustion chamber's air venting: primary air - secondary air supplied under the grate through holes in a back wall. Additionally clean glass system designed (air curtain).

Efficient burning process & maintaining of temperature to keep the warmth for longer thanks to lining of combustion chamber with TERMOTEC - heat accumulating material which raises the temperature in the combustion chamber.

Adjusting the external air inlet corresponding to the intensity of burning by using a single regulator, which is below the oven door.

SAFETY AT THE HIGHEST LEVEL

Perfect tightness thanks to the solid welds made in a noble gas shielding.

All steel elements are laser cut and bent on CNC bending machines.

Insert's front equipped with a heat resistant ceramics that withstands temperatures up to 660°C.

CONVENIENT TO USE

Movable grate and ashpan enables to clean the insert.

Reduced soot deposition through a system of pure glass (air curtain).

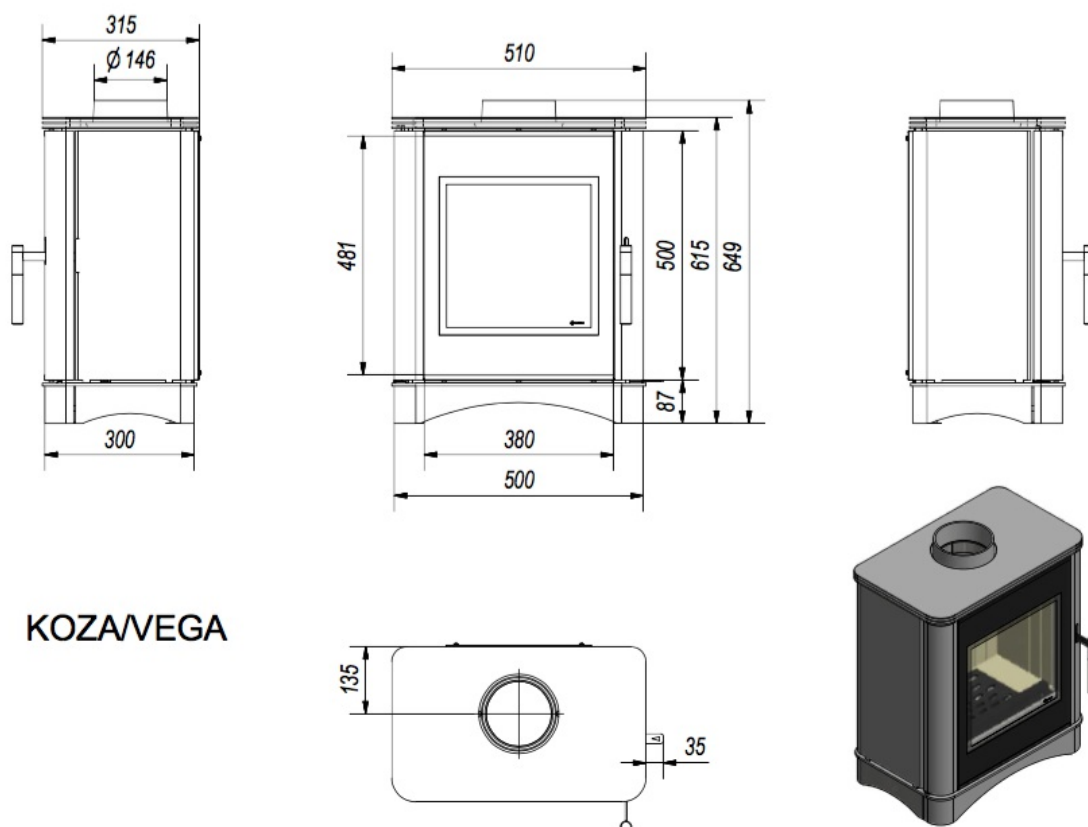
An elegant and comfortable handle.

Decorative, heat-resistant glass that can withstand temperatures up to 660°C. It gives a fireplace a modern and elegant look, visually enlarges the front of the insert.

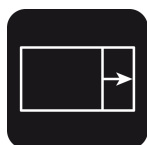
It can be used in a various mounting conditions thanks to adjustable exhaust outlet: on the back or top of the stove (for back exhaust outlet installation purchase of top plate cover is required).

5 year warranty.

Technical drawing



Additional options



Spring for door shutting STOVE
VEGA

€29.02

Spring for door shutting - automatically closes the door.



Steel pipe 150/1m

€20.79

Exhaust pipe designed for connecting wood-fired fireplace inserts an the existing flue pipes.



Steel pipe 150/0.5m

Exhaust pipe designed for connecting wood-fired fireplace inserts an the existing flue pipes.

€14.02



Movable elbow 150/90

Adjustable elbow up to 90°, 3-segment, diameter: 150 mm.

€21.77



Damper Ø 150 black

The damper is designed to regulate the smoke draft.

€21.77



Steel rosette Ø 150 CLASIC

Rosette Ø 150, made of black sheet - a masking element.

€4.11

Warranty

All the products available at www.kratki.com are brand new, free from any physical or legal defects. The Producer grants a 5-year warranty from the moment of purchase of a stove for its reliable operation. Grate and sealing for the stove are covered with a 1-year warranty from the moment of the purchase of the stove. The warranty shall not cover heat-resistant ceramics. The application of the stove, the method of joining with the chimney as well as the terms and conditions of use must correspond with the manual.

Return

A Customer being a Consumer, who has concluded the Sales Contract may rescind thereof within a period of 14 days without giving any reasons. The time limits run for the rescission of the Sales Contract shall commence at the time of acquiring the Goods by the Customer or a third party of their choice, other, however, than a carrier. The representations may be submitted in a form whose template has been published by the Seller at the Online Shop Website.



Kratki.pl Marek Bal
ul. W. Gombrowicza 4
26-660 Wsola/Jedlińsk

www.kratki.com
(+48) 48 389 99 11
contact@kratki.com

Date of publication:
28.10.2020